

OAW-AP85 Field Replaceable Mount Kit

Installation Guide

Introduction

This installation guide covers the installation procedure for a field replaceable OAW-AP85 mount kit only. This document does not include pre-installation and post-installation requirements, such as minimum software requirements, AP provisioning, connecting power cables, and other network requirements for an OAW-AP85 installation. Refer to the *Alcatel-Lucent OAW-AP85 Outdoor Access Point Series Installation Guide* that shipped with your OAW-AP85 unit for complete details.

Package Checklist

- OAW-AP85 wall/pole/mast mount kit (fixture with hardware)

Mount Kit Replacement and OAW-AP85 Installation



Alcatel-Lucent Access Points are required to be installed by a professional installer. The professional installer is responsible for ensuring that grounding is available and it meets applicable local and national electrical codes.



Do not work on an AP and do not connect or disconnect cables during periods of lightning activity.



Access Points are radio transmission devices and as such are subject to governmental regulation. Network administrators responsible for the configuration and operation of Access Points must comply with local broadcast regulations. Specifically, Access Points must use channel assignments appropriate to the location in which the Access Point will be used.



RF Radiation Exposure Statement: This equipment complies with FCC RF radiation exposure limits. This equipment should be installed and operated with a minimum distance of 7.9 inches (20 cm) between the radiator and your body for 2.4 GHz and 5 GHz operations. This transmitter must not be co-located or operating in conjunction with any other antenna or transmitter. When operated in the 5.15 to 5.25 GHz frequency range, this device is restricted to indoor use to reduce the potential for harmful interference with co-channel Mobile Satellite Systems.

Removing the Existing Mount Kit

1. Disconnect existing power and cable connections.



Disconnect the AC mains before handling the AC power cable and connecting it to or disconnecting it from the OAW-AP85.

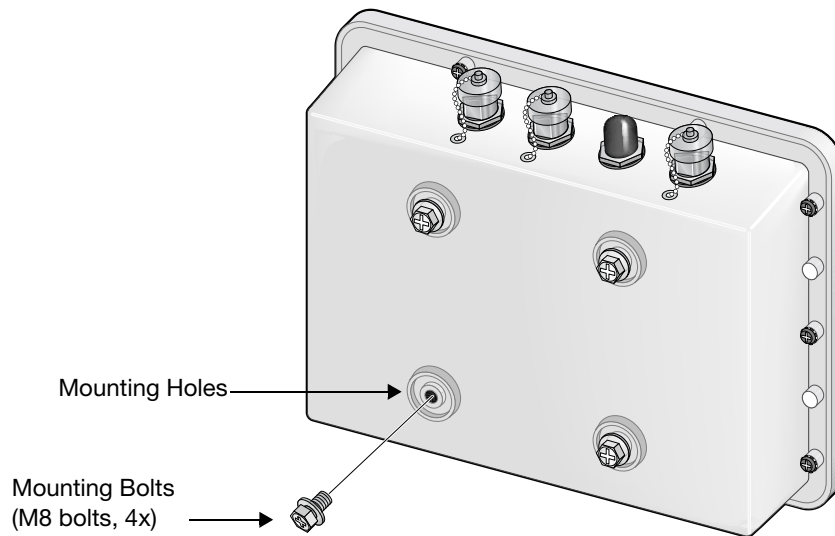
2. Remove the existing mount kit from the OAW-AP85.

Mounting the OAW-AP85

Preparing the OAW-AP85 for Installation

1. Install the four included mounting bolts (M8 bolts with captive flat washer) into the four mounting holes on the rear of the OAW-AP85 (see [Figure 1](#)). Leave approximately two to three threads showing on the mounting bolts.

Figure 1 *Installing the Mounting Bolts*



Wall Mounting the OAW-AP85

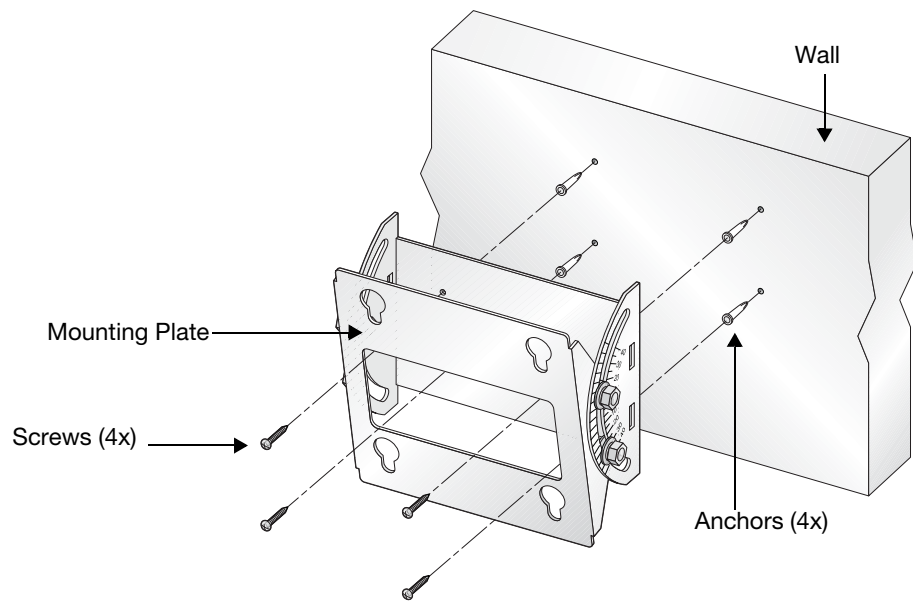
To wall mount an OAW-AP85:

1. Secure the mounting plate to a flat wall using the appropriate screws and anchors for your mounting application (see [Figure 2](#)).



Wall mount hardware is not included with the mounting plate and must be purchased separately for your mounting application. The mounting plate accepts the following screw/bolt sizes: M4, M5, SAE #8, and SAE #10.

Figure 2 Attaching the Mounting Plate

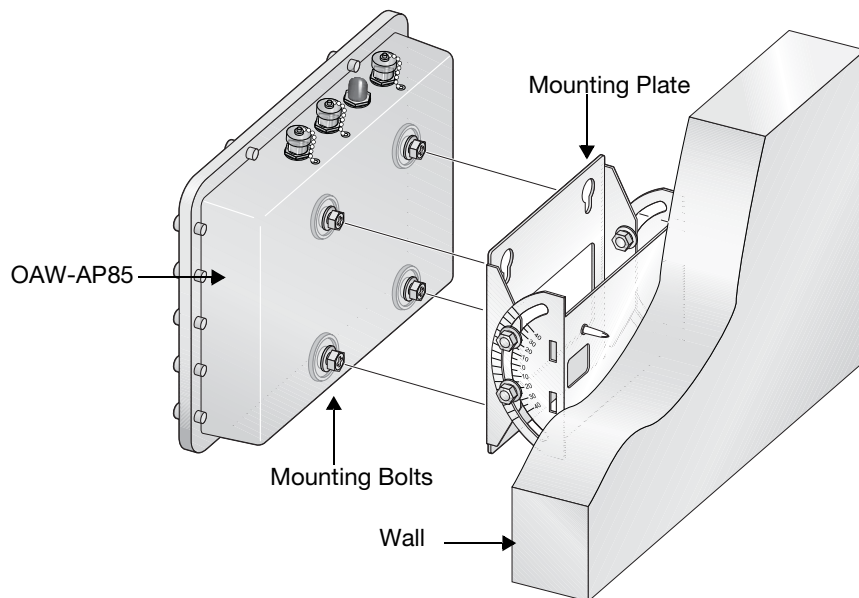


2. Seat the OAW-AP85 into the four keyholes on the mounting plate and tighten down the four mounting bolts (M8 bolts) to secure the OAW-AP85 in place (see [Figure 3](#)). The mounting plate should rest between the captive flat washer on each of the mounting bolts and the rear of the OAW-AP85.



The positioning of the keyholes on the mounting plate supports horizontal or vertical mounting of the OAW-AP85, which is achieved by rotating the device by 90 degrees and securing it to the mounting plate.

Figure 3 Wall Mounting the OAW-AP85

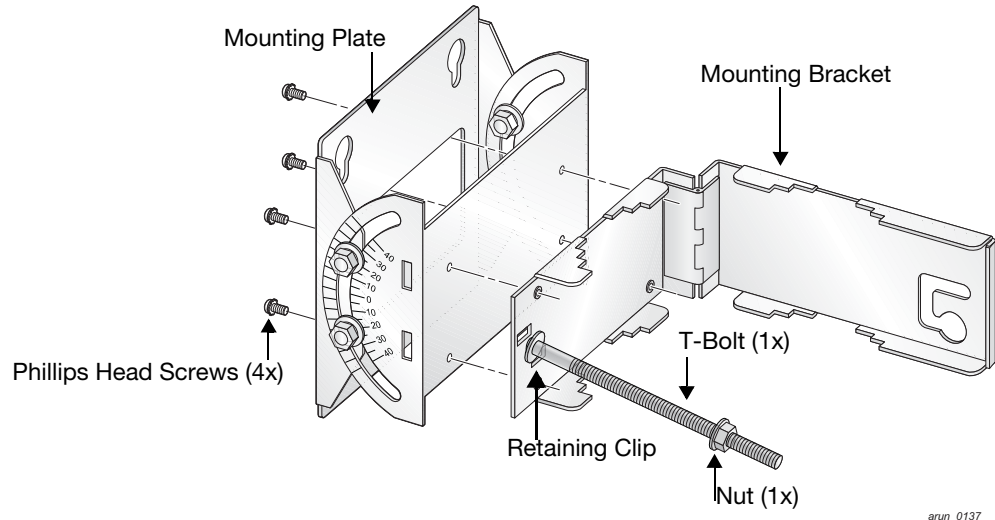


Pole Mounting the OAW-AP85 (1.5" to 3.5" Diameter)

To mount an OAW-AP85 to a pole with a diameter of 1.5" to 3.5":

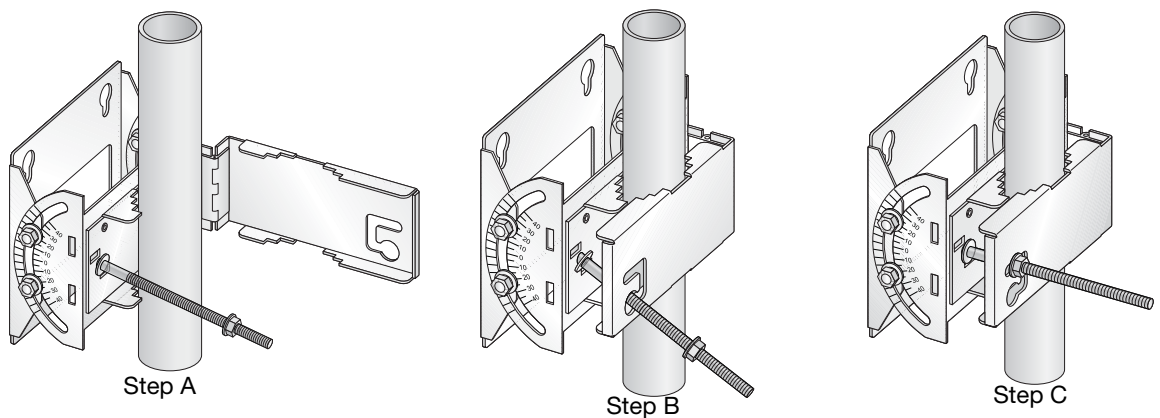
1. Slide the long T-bolt through the opening in the mounting bracket (see [Figure 4](#)).
2. Attach the included retaining clip to the T-bolt (see [Figure 4](#)).
3. Screw the included nut onto the end of the T-bolt (see [Figure 4](#)).
4. Secure the mounting plate to the mounting bracket using the four included phillips head screws (see [Figure 4](#)).

Figure 4 Assembling the Pole Mounting Bracket



5. Wrap the pole mounting bracket around a 1.5" to 3.5" diameter pole and secure the bracket in place (see [Figure 5](#)).
 - a. Wrap the pole mounting bracket around the pole.
 - b. Slip the end of the T-bolt with nut through the opening in the pole mounting bracket.
 - c. Maneuver the T-bolt to the top slot in the pole mounting bracket and tighten down the nut. Ensure that the nut is tightly secured and that the bracket cannot move. It must be secure to support the weight of the OAW-AP85.

Figure 5 Securing the Pole Mounting Bracket



6. Seat the OAW-AP85 into the four keyholes on the mounting plate and tighten down the four mounting bolts (M8 bolts) to secure the OAW-AP85 in place (see [Figure 6](#)). The mounting plate should rest between the captive flat washer on each of the mounting bolts and the rear of the OAW-AP85.



The pole mounting bracket can be secured to a horizontal or vertical pole. The positioning of the keyholes on the bracket supports horizontal or vertical mounting of the OAW-AP85 on either pole type, which is achieved by rotating the device by 90 degrees and securing it to the bracket. Refer to [Figure 6](#) and [Figure 7](#) for details.

Figure 6 Pole Mounting the OAW-AP85 (1.5" to 3.5" Diameter)

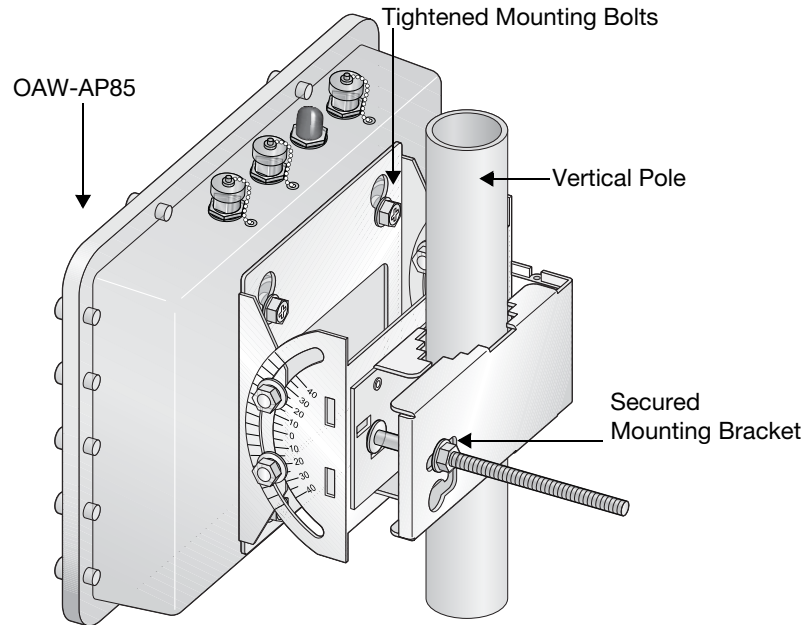
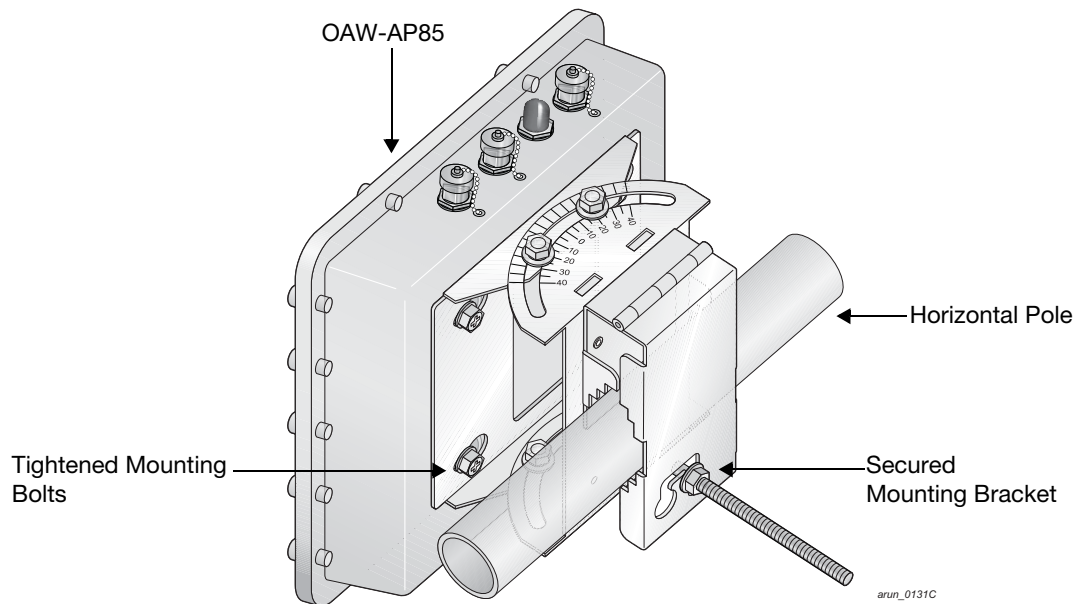


Figure 7 Horizontal Pole Mount Position (1.5" to 3.5" Diameter)



Pole Mounting the OAW-AP85 (>3.5" Diameter)

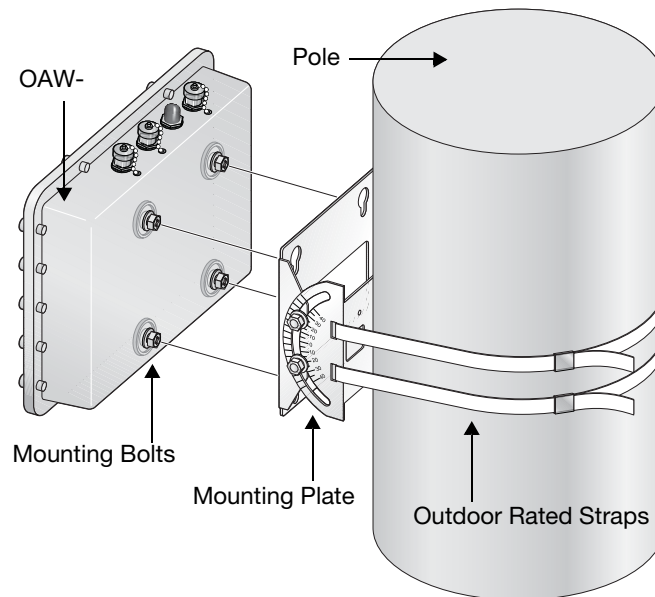
To mount an OAW-AP85 to a pole with a diameter greater than 3.5”:

1. Attach the mounting plate to the pole using outdoor rated straps (see [Figure 8](#)). Outdoor rated straps are not included with the unit and must be purchased separately.
2. Seat the OAW-AP85 into the four keyholes on the mounting plate and tighten down the four mounting bolts (M8 bolts) to secure the OAW-AP85 in place (see [Figure 8](#)). The mounting plate should rest between the captive flat washer on each of the mounting bolts and the rear of the OAW-AP85.



The mounting plate can be secured to a horizontal or vertical pole. The positioning of the keyholes on the mounting plate supports horizontal or vertical mounting of the OAW-AP85 on either pole type, which is achieved by rotating the device by 90 degrees and securing it to the mounting plate.

Figure 8 Pole Mounting the OAW-AP85 (>3.5" Diameter)

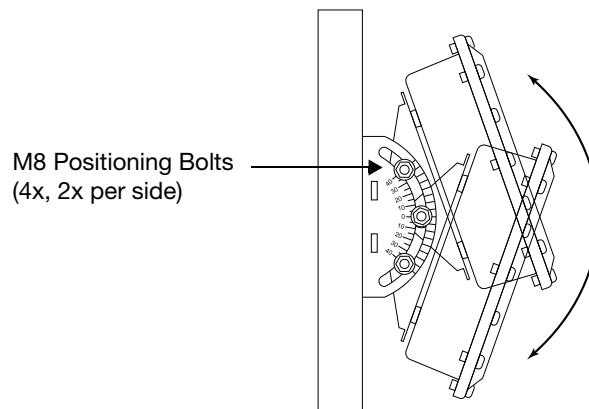


Positioning the OAW-AP85

To adjust the angle of an OAW-AP85 on a vertical pole:

1. Loosen the four M8 bolts on the side of the mounting plate and rotate the AP to the desired angle and tighten down the M8 bolts (see [Figure 9](#)).

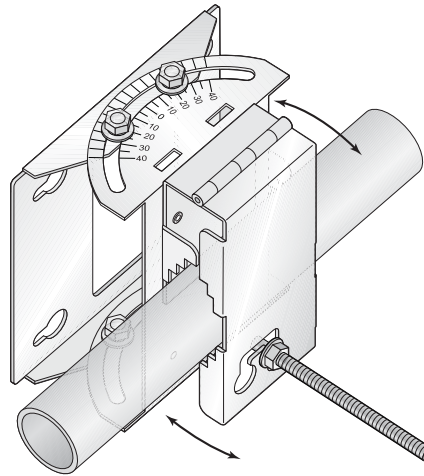
Figure 9 Positioning the OAW-AP85 on a Vertical Pole



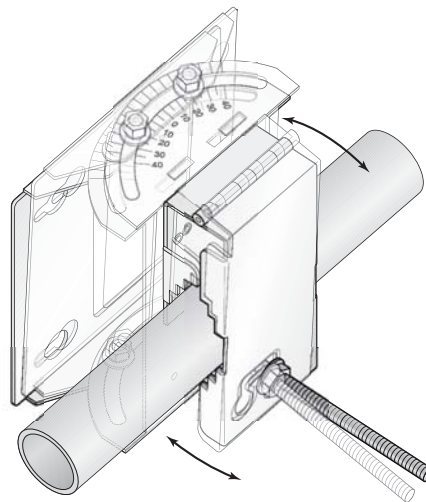
To adjust the angle of an OAW-AP85 on a horizontal pole:

1. Rotate the entire mounting bracket to the desired angle and tighten the bracket into place (see [Figure 9](#)).

Figure 10 Positioning the OAW-AP85 on a Horizontal Pole



arun_0131D



arun_0131E

Completing the Installation

Refer to the *Alcatel-Lucent OAW-AP85 Outdoor Access Point Series Installation Guide* that shipped with your OAW-AP85 unit for complete installation details, such as connecting cables and power, verifying connectivity, and configuration.

Safety and Regulatory Compliance

Alcatel-Lucent provides a multi-language document containing country specific restrictions and additional safety and regulatory information for Alcatel-Lucent hardware products. The *Alcatel-Lucent Safety and Regulatory Addendum* can be viewed or downloaded from the following location:

<https://service.esd.alcatel-lucent.com>.

Proper Disposal of Alcatel-Lucent Equipment

For the most current information on Global Environmental Compliance and Alcatel-Lucent products please see our website at www.alcatel-lucent.com.

Waste of Electrical and Electronic Equipment



Alcatel-Lucent products at end of life are subject to separate collection and treatment in the EU Member States, Norway, and Switzerland and therefore are marked with the symbol shown at the left (crossed-out wheeled bin). The treatment applied at end of life of these products in these countries shall comply with the applicable national laws of countries implementing Directive 2002/96/EC on Waste of Electrical and Electronic Equipment (WEEE).

European Union RoHS



Alcatel-Lucent products also comply with the EU Restriction of Hazardous Substances Directive 2002/95/EC (RoHS). EU RoHS restricts the use of specific hazardous materials in the manufacture of electrical and electronic equipment.

Specifically, restricted materials under the RoHS Directive are Lead (including Solder used in printed circuit assemblies), Cadmium, Mercury, Hexavalent Chromium, and Bromine. Some Alcatel-Lucent products are subject to the exemptions listed in RoHS Directive Annex 7 (Lead in solder used in printed circuit assemblies). Products and packaging will be marked with the “RoHS” label shown at the left indicating conformance to this Directive.

China RoHS



Alcatel-Lucent products also comply with China environmental declaration requirements and are labeled with the “EFUP e” label shown at the left.

Contacting Alcatel-Lucent

Web Site Support	
Main Site	http://www.alcatel-lucent.com/wps/portal/enterprise
Support Site	https://service.esd.alcatel-lucent.com
Support Email	support@ind.alcatel.com

Telephone Support	
North America	1-800-995-2696
Latin America	1-877-919-9526
Europe	+33 (0) 38 855 6929
Asia Pacific	+65 6240 8484
Worldwide	1-818-880-3500